

Wanted America's Tiniest Newspaper

Under 75¢



ALPINE SUN



Best Climate in US by Government Report

Vol. 17 No. 39 Alpine, Calif. 92001 Friday, Sept. 27, 1968 10¢

SPOTTY BRUSH FIRE ON MIDWAY

Monday noon a brush fire in sparse growth on lower Midway Dr. kept federal, state and local firemen busy for an hour. Photo shows many of the trucks and other equipment on the job at Midway & Arnold.

Officials think it was set over on Midway where the start was.

Shortly after another one got a good start in Harbison Canyon, and was likewise quickly contained. It was also thought to be the work of a firebug. Two borate bombers flew in but were not needed.

BIG TRAILER PARK CHANGES HANDS

Alpine's largest haven for trailerites, the 66-space Alpine Oaks Mobile Home Estates, 3505 Hwy 80, built by the late John M. Jones in 1958, was purchased by Mr. and Mrs. Chas. J. Navero, jr. They plan to take over from Wm. "Corky" Jones, and operate the beautiful park. Stamps indicated a value of \$264,000 to the seller, Alpine Set O J, Inc. Jones landscaped and made it one of the finest in the country.

Note- Up to press time neither buyer or seller could be contacted for further details. The Sun hereby welcomes



The current Santa Ana condition with extra hot days has dried out brush and grass. The hazard is doubly dangerous. No burning permits are being issued.

the Noveros to Alpine.

COUPLE BUYS HOME ON WILLOW SIDE

Mr. and Mrs. Don H. Stoner, of Huntington Beach, have just purchased the home of Mrs. Opel Backer Ready, at 100 Willowside Terrace and are now living here. Mrs. Stoner runs a dress shop in the beach city, may eventually move it here. Sale was by Anna Jerney, head of Alpine Realty Co. Stoner works with Fred Rushing.

PUBLIC REFUSES ZONE CHANGE

A majority of residents voted against a proposed zone change from A-1-1 (holding) at Wednesday night's special

More on 14

Tune Clarke Irvine on Physical Fitness, Radio 860, XEMO, 10 & 11:15 PM Sundays

INTER-CHAMBER DINNER SUCCESS
Wednesday Interstate 8 C of C held a very successful dinner meeting with Don Walker, prexy, in charge. Alpine, Lakeside and Santee chambers took part.

Main speaker was Hugh A. Hall, director of the SD 200th Anniversary, who explained the elaborate county wide plans for the event.

Also speaking was Russ Crane on freeway development, mainly Hwy 67 and US 8, plus future developments in the back country.

The affair was held in McPherson's Dining Room and was well attended.

RATLIFF PARTY BACK FROM ISLES
"Wonderful trip, wonderful time, we want to go again!" That was the exclamation of Barney & Agnes Ratliff upon



on their return Friday from a beautiful tour to Hawaii. They own and operate the Log Cabin Cafe, Ratliff Liquor and Delicatessen, and are extensive property owners here.

They embarked on the Matson Line's Luxury ship the Lurline for a relaxing 5-day voyage to the Islands, on a tour conducted by Stan Speedy. They were accompanied by Agnes' sister, Miss Tresa Henson, of SD; their daughter Miss Edna Mae Ratliff, Miss Frances Edsell, of SD; and Ethel Towsley, of Lakewood.

"We took 5 days on the steamer" says Barney, "but we flew home in only 4 hours & 50 minutes from Hilo! It was a marvelous tour, all 5 islands, cars to see the sights, and in Honolulu we stayed at the lovely Admiral Cook Apartments."

NOW TAKING RESERVATIONS

This is Mrs. Melanie Murrell, wife of Bill Murrell, the couple that will manage the new Vista Alpine Mobil-home Estates, 2400 Hwy 80, which is slated to open Nov. 1

They came here from Saugus where they managed a large trailer park. They like Alpine fine and look forward to the opening of the modern 151-space park.

They will reside in the house which is being refurbished. Photo was made inside the handsome new recreation hall which has kitchen, showers and rest-rooms and where they will stage many events.



Henry Boney, supervisor chairman of LM, has been named one of 5 state regional chairmen for the Nixon-Agnew campaign. He will be in charge of activities in SD & Imperial Counties.

BISHOPITES BUY SPEAR COTTAGES

Homer Spear and wife have just sold their cottages and 2½ acres, 2115 Arnold Way alongside Olivewood Lane. Anna Jerney, manager of Alpine Realty made the sale which just closed escrow.

Buyers are Mr. and Mrs. Victor C. Perry, of Bishop. They plan to improve and build more. The Spears, longtime residents, retain their home on ½ acre.

Guillotine, The first real cure for dandruff.

Learning to play the harp is no guarantee that you'll get to heaven.

"Buy Two and Save"

Mary Carter Paints

Hours 9 to 6, Friday 9 to 9

UNFURNISHED FURNITURE

240 W. Main St., EC . 444-2316

EL CAJON THEATRE

444-3272

NOW THRU TUESDAY

Rod Taylor
"Dark of the Sun"

Doris Day
Brian Keith
"With 6 You get Egg Roll"

FAMILY NIGHT EVERY TUESDAY

AERO DRIVE-IN

444-8800

NOW THRU TUESDAY

"Women of the Prehistoric Planet"
"The Lost Continent"

Swapmeet 9 to 5 Sat. & Sun.
25¢ to Walk in
\$2. to drive in & sell per car

For Your Health Foods, Vitamins & Special Diets
Purchase With Safety & Confidence At The

VALLEY HEALTH FOOD STORE

IN BUSINESS SINCE 1950

W.L. HOUGHTON, OWNER

The address is still 133 Prescott, El Cajon 444-8447

PARIS MORTUARY

ELMER VIERKANT - AUSTIN PERRY

442-4411

374 N. Magnolia

El Cajon

EDITORIAL

SCHOOL SHORTAGES FRUSTRATE MANY STUDENTS.

Well, so we may land a man on the moon next year!

And while we have to destroy rockets that never get into space but go wivvery for some reason-- at a cost of \$11 million-- our enthusiastic young students in many schools are forced out because of the need for classrooms, facilities and staff.

For example, our giveaway to foreign "aid", runs into the millions, yet here at home we need roads, firebreaks, water, parks, lakes, bridle trails ad infinitum, to make this really the great country that we brag about.

This week down at Grossmont JC where our Alpine young people have to buy gasoline, tires and autos, to commute to, they are frustrated, disappointed, disheartened over the crowding, and inability to get into classes

that they need and desire.

Saturday morning they had a "scramble" to pick up a class or two and the lineup started worse than a breadline shortly after midnight Friday.

Some got there around 5, but were over 100 down the long line. And when they got through the door, most of them did not land anything. We hate to see our youngsters so deeply disappointed with the system, the establishment, the state, the nation, that allows this to happen.

No wonder older ones are objecting, dissenting, fighting-- nay, even dying-- to get a change. In the meantime we have killed over 27,000 young men in Vietnam-- for what? And at what a cost of many billions that could have been sluiced into the above mentioned needs.

Yes, I ask with our youngsters, "What's the matter with this country, anyhow?" CI.

EARL'S GULF STATION

Complete Lube Service, Dorman Recaps, Truck Tire Service: Any Place, Any Time. Batteries and Accessories. White Gas and Block Ice.

We Give S&H Green Stamps

2151 Hwy 80, Alpine 445-4188

ALPINE SUN

America's Tiniest Newspaper
445-2415 or 445-2394

2255 Tavern Road, Rt. 1, Box 189
Alpine, SD Co., Ca. 92001
Published weekly on Friday
10¢ per copy, by mail \$3. yearly
Clarke Irvine, Editor & Publ.
AOPA 194347

Alice Irvine, Art & Composition
Printed & Produced on the Ranch
2nd Class postage paid at Alpine.
Est. Jan. 1952, Adjudged for legal
ads on 11-12-59 in superior court,
No. 238120.

Farmers Insurance Group

149 N. Magnolia, El Cajon

ARLIE D. NUNLEY

442-9484

PTA TABLE DISSOCIATION

At Tuesday's first PTA meeting of the year, a lively discussion took place on whether to pull away from National PTA and form a Parent's Club. Many were on hand to give advice and the motion was made to wait until more details could be given to the public.

They did vote to increase dues from 50¢ to \$1. to help them through the year as the 50¢ previously asked was not sufficient to meet their needs. The association took 35¢ of this which did not leave much to go on so the extra received from the increase will take care of the needs for the coming year together with the few money making projects the PTA has.

Mark Kerby, new principal was introduced and gave a short talk.

TREASURES IN WORDS

Depart from evil, and do good; seek peace, and pursue it. PS 34:14

Subscribe, only \$3. a year.



TALK FOR NIXON AT PIERCE HOME

Some 30 ladies listened attentively to an enlightening talk on behalf of GOP Candidate Richard Nixon at the lovely Auren Pierce home, in Rancho Palo Verde last week, with Mrs. Jean Pierce as hostess.

Explaining the Nixon position on Viet Nam, war, city riots, Attorney Luther Leeger, of SD, spoke for an hour. "We must have law and order", he declared, "without a back-to-justice attitude, we will not have proper opportunities for all individuals, and that must be without penalty of race, creed or color".

After the session refreshments were served in the large living room overlooking the lake.

Girl Friend: Tell me, Sargie, why do you call your car "Shasta?"

Sergeant: Because shasta have gas and shasta have oil.

Boarding - Breaking - Training
Cyclone Fence Shelters

T.J. Vanlandingham

ROCKING TV RANCH

Horses Bought - Sold Consignment

STALLIONS WELCOME

GOOD RIDING AREA SHOW ARENA

445-3328

15455 Hwy 80

El Cajon, Cal.

Your Complete Fashion Specialty Shops

Revolving
Charge Accounts

Bankamericard
Famous Brands

Evelyn
WIGTON'S
smart apparel

El Cajon

College Grove

Pacific Beach

STARTS GAS BUSINESS HERE

Ron Leitch who has been in the liquid gas line in the area for 10 years is moving his business to Alpine to serve this community and the back country with that product. It is the C.I.D. Propane Co., with distribution yard at 9113 Olive Dr., Spring Valley, as announced in today's full page ad herein.

"We know Alpine is growing and has a big future" he said when visiting the Sun office, "and we are prepared to service propane customers with gas for domestic, industrial or carburetion, and at very competitive prices". They furnish it in bulk, meter or budget plan, and have radio-dispatched trucks to hasten delivery.

With his wife and 3 daughters, he lives in EC, and is looking for a place to locate in Alpine.

A hen is the only creature that can lay around and make money.

Piano Organ Voice

LENORE OAKLEIGH LUSK

P.O. Box 281

445-2927

Alpine

CAKES & PASTRIES

For Weddings, Birthdays
and Special Occasions

TASTY BAKE SHOP

144 E. MAIN 444-3686



Mon. - Sat.

9-5

Alpine Beauty Salon
Hi Fashion Hair Styling

For Appointment, 445-4031

2142 Hwy 80

Alpine

RUN-AWAY TRUCK CAUGHT

Through the quick thinking of Emelia Kelly, a disaster was averted in Alpine Tuesday night at 6:30. She was pulling out of Bailey's parking lot when she saw a jet fuel tanker in front of her start to roll. She couldn't see the driver and assumed he was bent over trying to adjust something when the vehicle gained momentum and started up the Alpine Convalescent driveway. She knew it was empty then so alerted Lutz Garage and the fire department who came to prevent any fires. Kerosene was leaking out of the back and the truck was overheated.

The driver was finally located at Florence's Market where he had gone to phone the company of his breakdown and wasn't around for all the excitement. Several onlookers blocked the truck so it couldn't move and waited for the driver to come. "Mrs. Kelly can be complimented for her cool thinking and in saving many from a possible accident", said an onlooker.

CAR COST OPERATION ANALYZED

The Automobile Legal Association has just reviewed computer reports from 15 major cities on the complete range of costs in running an average automobile for the motorist who clocks 15,000 miles or more a year. This includes depreciation, taxes, upkeep, repairs, fuel, oil, insurance, etc, which brought the figure to a new all-time high: 11.393¢ per mile. Most firms and the governments today allow 10¢ per mile. So when you "run over to buy a can of dogfood, or a bottle of hair lotion, just add 1¢ per mile for the jaunt and add it to the cost of the item!

Denise Hauenstein was here last week for a visit with her parents, she is attending UC in Riverside.

Under New Management

CLUB ALPINE

2502 Hwy 80

445-2006

John & Rosemary Fair
and Charlie Lentz

Pool Tables - Coldest Beer Around

LACKO SHOP
NEARLY DONE

Building of this shop and penthouse has been delayed due to Martin Lacko breaking bones in one foot, but now he is able to hobble along slowly.

The concrete block structure below will house his Ideal Mfg. Co., while the board and batt penthouse above will be his living quarters. It will be plastered, with view-windows, heated ceilings and all modern.

It is in the rear of his building which presently houses Alpine Beauty Salon, Gordon Realty, H & R Block Tax Office, and the vacant store formerly Mary's Dress Shop, 2144 Hwy 80.

As soon as he moves his machines out of this shop it will be leased for a commercial project.



Glenview Feed Co.

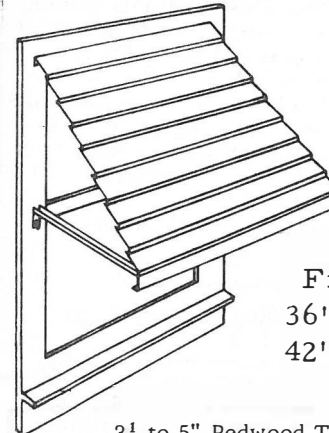
PURINA CHOW - ACE HI FEEDS

443-3883

Delivery in Alpine Every Thursday

Please order before 9 a.m.

13283 Hwy 80 at Los Cocheros Road



"Snap-On"

Aluminum Awning

Easy to Install - Lasts a Lifetime
Permanent Protection from Sun & Rain

Five Sizes * Six Colors

36" - \$9.95 54" - \$14.95

42" - 10.95 66" - 18.95

78" - \$20.95

3½ to 5" Redwood Treated Fenceposts, 7', \$1.69; 8', \$1.89
Ask for Large Order Discount

AL HINKLE

Lumber & Ranch Supplies

2101 Hwy 80

Alpine

445-2184



HORSE TALK

By the Double C's

Members of Alpine Riding Club enjoyed a movie at the Youth Center on "Quarter Horses in Action" Saturday night and all that saw it were happy they did. It was informative and brought out all phases of horse back riding and the use of the Quarter horse.

The club is sponsoring another set of gymkhana shows scheduled for October, November and December with the high point trophy being given at a party some time before Christmas. Ribbons will be given during the three shows but no trophies. Last year's winners were thrilled with their prizes, so it is worth working for, and all members are eligible and any new member who wishes to join now, may enter.

Nikki Menconi's mare Trinket finally got the rope burn on her hind leg healed, so they are going to start riding her. Her colt is 4 months old and Bob hopes to get some time to start his training. Fred Rushing is going to finish

grading the ring so they all can work out every day. Gary, Mike Scully and Steve Brown went for a nice trail ride Saturday and enjoyed it. Steve lives on Bell Bluff Trail, has 13 Appaloosa horses and hopes to end up raising them when he is older.

No one was prouder of their horse than Nikki Menconi when her mare Velvet brought in 8 ribbons and one trophy at the recent horse show Alpine Riding Club sponsored. She was ridden by Jackie Reed who's horse had stepped on a nail, leaving her without one, so Nikki told her to try Velvet. She worked her out and only missed high point by 6. She hopes to enter her in the gymkhana shows coming up.

Bob Smith's little dog had to have surgery on his back leg after Cayuse either stepped on him or kicked him when they were playing around. The poor little fellow gets the pin out this week but hasn't been able to get around much these past two weeks because of the wire supporting his leg.

JoAnn Villa's friend Gina Bentley, who is only 9, brought home a nice trophy at the Poway National show recently. She won it in the 12 and under Western Pleasure class which had 43 entries. Gina is good and has been winning trophies for a long time. Wonder what she does with them all?

T.J. Vanlandingham has Missoula Arrow for sale. This Appaloosa gelding was once owned and shown by Margaret Lowthian and was trained by Frank Evans and shown all over. He has lots of trophies to his credit and would make a beautiful show horse for someone interested in taking him in the ring. Call 445-3328 for more information.

Looking for a nice near-new saddle? Call 445-4281 as Mr. Holmes has one to sell.

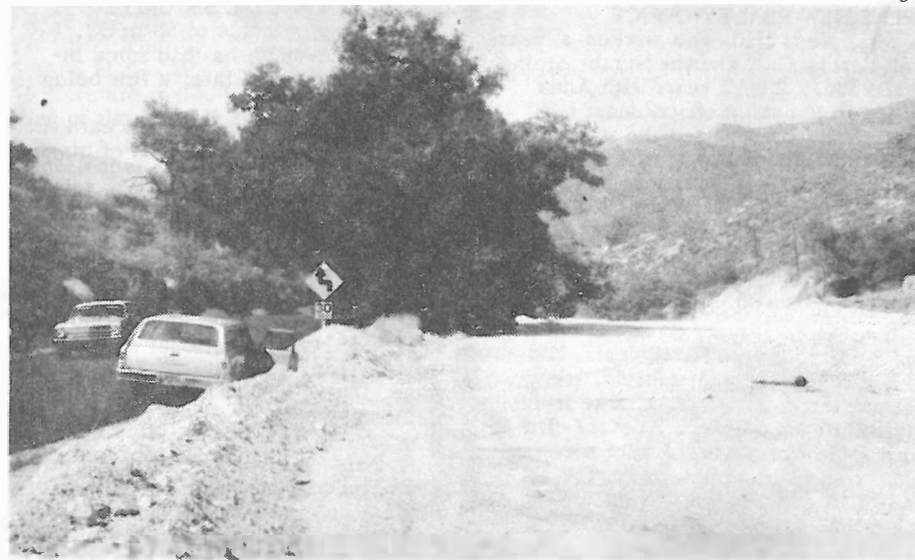
Dub: "I'm going to marry a girl who can take a joke."

Rub: "Don't worry; that's the only kind of a girl you'll get."

Trailer & Camper Service & Repairs Mobil Home Towing

Valley TRAILER SUPPLY

1540 E. Main St., El Cajon. 442-0971



FOR SAFER CANYON ROAD

This is looking south on treacherous curving portion of Harbison Canyon Rd., where new water mains are going in. It will soon be paved and open as the down grade side of heavily traveled road. Up traffic will use lane at left.

Mr. and Mrs. Harvey Moore just returned from spending three months in Scottsdale, Ariz. Mrs. Moore's niece and husband, Mr. and Mrs. Edmund Thayer spent that time in Europe visiting so the Moores looked after their home while away.

They both said "we are so glad to be back in Alpine".

The recent Ice Follies at SD Sports Arena was enjoyed last week by 43 residents of Alpine Oaks Mobile Estates. They chartered a bus so all could go together.

Meachum's

Window Coverings And Floor Coverings

SALES AND INSTALLATION

444-4398

260 W. Douglas

El Cajon

Two fishermen sitting on a bridge made a bet as to which one would get the first fish.

One of them got so excited he fell in.

"Well, snorted the other, "if you're going to dive for them, the bet's off.

BROWN REALTY Co. LISTINGS WANTED

Homes - Ranches - Acreage

2237 Hwy 80 Alpine, Cal. 92001

2237 Hwy 80 PO Box 317

445-2631

Res. 445-3035

EAST MAIN

DO-NUT

SHOP

65¢ DOZ. WITH THIS AD
(Reg. 85¢)



39 Varieties

1394 E. Main 447-2323

CARRELL'S

Hay, Grain & Supplies

George Carrell

Vet Supplies

Closed Sunday

445-4436

2424 Hwy 80

Alpine

SEE THE BEAUTIFUL

1969

Models

Don't miss this one, the greatest ever.

442-0201



OPENS NEW REALTY OFFICE

Mrs. Neda Hill who worked a year with Carl McCall when he had the Alpine Realty Co., then 2 years with Anna Jerney in the same office under her broker's license, passed the state exam last Friday and is now a broker. She is opening Neda Hill Realty in her home, corner White Oak Drive and Tavern Rd. She has a phone, 445-2818.

ATTENTION ALL LOCAL PILOTS

The Alpine Flying Club, trying to get an airpark here for 17 years, has found what may be a solution. Hence the president, pro-tem, Clarke Irvine, invites all area fliers to contact him with a view of having a brief meeting soon to discuss the new project. Call 445-2394 or 2415.

Mr. and Mrs. Blackie Vigneault took their friends, Mr. and Mrs. Jim Davidson to Tijuana Friday, was their first trip across the border and they all enjoyed themselves.

CHATEAU MINI MART

Formerly Alpine Outpost

GROCERIES - SUNDRIES
Beer, Wine & Beverages4008 Willows Rd. 445-3139
(Frontage Road)

LISTINGS WANTED

EXCHANGES HOMES RANCHES ACREAGE

AL SMITH
BROKER

445-2670

2249 Hwy 80

Alpine



CLOTHING FOR THE ENTIRE FAMILY

Hardware, Housewares, Paints, Toys & Gifts

Alpine Hardware & Dept. Store

2218 Hwy 80

445-2406

Alpine, Calif.

LATEST ON SOCIAL SECURITY

The district office of SS in EC, 570 N. 2nd (422-0857) has had some interesting queries of late, a few being answered herewith:

Can one receiving benefits earn more this year and still receive all of his SS checks?

A. Yes. Effective January 1, 1968, the new law raises from \$1,500 to \$1,680 the amount of earnings a beneficiary may have this year without loss of benefits.

Q. My mother is 83 and can no longer care for her own personal needs. We are considering placing her in a nursing home. If the home participates in the Medicare program, will it help pay the bill?

A. No. From your question, it appears that your mother does not need medical and professional nursing care, but simply care to meet her everyday personal needs. Medicare does not pay for this.

NEW ART SHOW AT LIBRARY TUESDAY

Reed Durham, of Alpine Rock & Hobby Shop, who was elected president of the new art group here, will have starting Tuesday, a colorful display of rocks and minerals, reports Librarian Mrs. Elizabeth West. She invites local artists to exhibit. Hours: Tuesday & Thursday, 1 to 5, Saturday, 10 to 2. See photo next week.

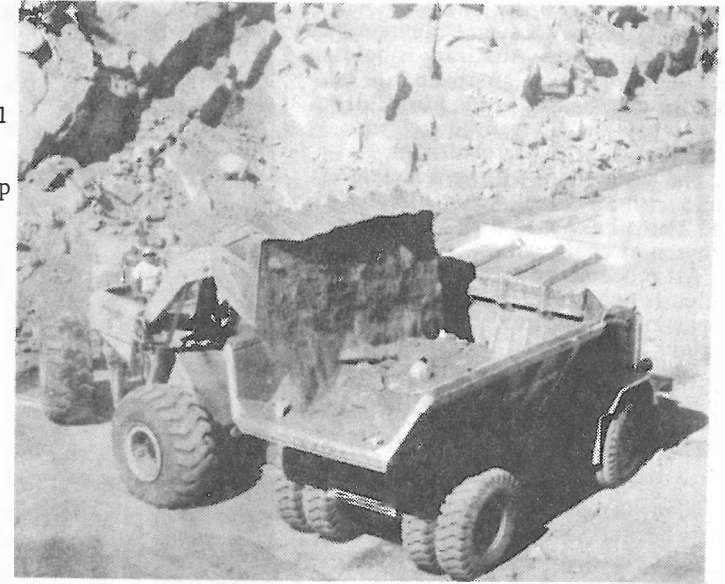
Bruce Hill, son of Tom and Neda Hill is serving in the army in Sattahip, Thailand. "He likes it over there" they say, "gets to go fishing, and the people are very nice".

Pastor Paul Heyn of LM who preaches at Alpine Lutheran Church half of the time, alternating with Vicar Lyon, is back from a vacation to Donner Lake with his wife and son Tom.

HUGE EARTH MOVING JOB NEARS END

Here are two men of the Vinnell Corp., with a large loader and a heavy-duty dump truck clearing out rubble after a heavy blast on the last of the upper end of Hwy 80, where they are enlarging a cut to make way for the new US 8. In this hard blue granite they had to do a lot of blasting as rock wall reveals.

See photo next page for hangup of traffic and view of freeway.



PAINT & BODY MAN HERE

Growth in Alpine is assured and is evident all around town. Now there has been added a paint and body shop man who will operate out of Lutz's Garage until business allows him to expand. He is Paul Waldrep, Alpiner and property owner. He is well qualified, having been brought up in his father's garage, will start advertising soon in the Sun.

Wednesday Alpine Oaks Mobile Estates held the regular monthly Ladies Luncheon with Henrietta Gaston in charge. On her committee were Mary Gray, Ruby Mudd, Norma Clark and Rose Faulkner. All report a nice time. Guests included Vera and Mrs. Theo. Jones, Betty Palmer, Janie Paulson, Louella Williams and Donny Larry of San Luis Obispo.

BILL'S TV



2357 U.S. Hwy 80 - Alpine

"Finest in Radio and TV Service"

Black and White and Color

Antenna Installations

445-2134

9 am to 5 pm

Jack Spatz reports that his sister Helen writes that her husband Howard McNear, famous as Floyd the Barber, formerly on the Andy Griffith TV show, is recovering from burns, hopes to be out of the hospital soon. They visit Alpine periodically, love it here.

Hamburger, The last round-up.

Evelyn's

BEAUTY SHOP

PERMANENTS FROM \$6.50 UP
(Closed for Vacation 9/21 thru 9/28)
Closed Tuesday 444-4294
2030 Crest Dr. Suncrest

HELP!

WE NEED LISTINGS

Have buyers for homes on 1 to 2 1/2 acre parcels.

GORDEN
REAL ESTATE

445-2218

2140 Hwy 80

Alpine

RUMMAGE AND BAKE SALE

The Harbison Canyon Volunteer Fire Department Ladies Auxiliary is holding its annual rummage and bake sale tomorrow and Sunday in the Fire Hall, 127 Francis Drive, from 10 to 5 with Mrs. Jack Dowling as chairman.

She says "there will be a bazaar table with Mrs. Jack Roberts in charge and also a bake sale with Mrs. Sam Grayson as chairman.

All proceeds go to the department which is one of the few remaining fire departments supported entirely by donations and projects, not by tax funds.

Other committee members assisting: Mrs. G. W. Riddle, Mrs. D. Kronk, Mrs. Anthony Strobe and Mrs. Byron Crawford.

Many a man who wins a girl's hand finds himself later under her thumb.

Land Listings N.M. GRIECO Realtor

465-9900

7299 University Ave. La Mesa

Bob Wilson's TEXACO SERVICE



BATTERIES - TIRES - ACCESSORIES
Complete Motor Tune-Ups

445-2872

2232 Hwy 80 Alpine, Calif.



If you have not driven east of town lately you would hardly know old Hwy 80 as shown in this air shot by Editor Irvine when he and Al Smith flew over recently.

It shows the freeway, looking west, with access road on left and upper Willows Interchange at top, with Willows Road leading off to right beside Viejas Reservation in upper right corner.

In foreground note about 50 cars and trucks bumper-to-bumper awaiting clearance of blast as shown on foregoing page. About the same number of vehicles were waiting east of blast site to go on old 2-lane Hwy 80.

This section of new US 8 will probably be open in December, says Roger Kocher, resident highway engineer. Access road at left will be for use of Ken Hittle of Butler Drilling Co. Carl Schweiss, Andersons & others on Old 80.

COUNTRY MAY FACE STARVATION!

A recent report on 1966 figures for agriculture in the state shows that 300 acres are lost daily to growers for subdivisions, freeways and so on. This means the assessors have to tax farmers higher. Farms numbering 80,000, are now down to 60,000, and it costs more to raise produce yet receipts are less!

One in 3 jobs are in agriculture and half of all trucking relates to that field with eggs as the third crop, doubled in only 10 years. Poultrymen of California supply 12% of the total used in the US. Alpine has three of the largest such ranches in the area, plus one processing center.

The modern home has everything controlled by a switch-- except the children.

DR. CHAS. A. KAUL

Service was Monday at Bonham Bros. Mortuary in SD for Chas. A. Kaul, D. C., 83, who died the Thursday before in SD. Interment was in Ft. Rosecrans National Cemetery as he had served in the army.

He at one time practiced in Jacumba, ran the bath house, lived in LM & Ramona, latterly at Alpine Convalescent Center. No known survivors.

Mr. and Mrs. Fred Sandel sold their Huntington Park home last week, will spend all of their time now in the home on Eltinge Drive that they purchased from Mr. and Mrs. George Archer.

A rich husband is always a rich man, but a rich man is often a poor husband.

Commercial - Residential - Mobile

AIR CONDITIONING

Rosko Refrigeration

SALES AND SERVICE

445-3836

9926 Hawley Rd. El Cajon

All Types of INSURANCE

Home - Commercial - Industrial
Accident - Life - Automobile

"Serving Alpine Area Since 1875"

442-8871

PERCY H. GOODWIN Co.
490 N. Magnolia, El Cajon

ALPINE

WESTERN WEAR

Full Line of Boots, Clothing,
Saddles, Tack & Accessories

2111 HWY 80

Alpine Rexall Bldg. 445-2739 Plenty of Parking



Howard Kaye, Interiors

UPHOLSTERING

3 Day Service & Delivery

Try our free estimates and judge for yourself.

Days 444-3158 - Nights 447-1963

1456 N. Magnolia

El Cajon

ZONE CHANGE STORE From 1 meeting the chamber of commerce put on so the public could express its wishes. About 100 were present. Dr. J. S. Campbell, president, opened the meeting, Fred Rushing moderated.

Engineer Byrl Phelps showed maps and a model of the 1400-lot proposed development which included a shopping center, and would later bring 5600 new residents; 20 acres to be zoned C, 16 R-3. The site is north of US 8 Fwy, on Tavern Road extension.

Consensus seemed to be that people came here to live in the country and do not want expansion and higher taxes.

A public hearing is slated for Oct. 4 in the planning office, 1600 Pacific Coast Hwy. Hour has not been set.

Subscribe to the Sun, Only \$3. a year.

Florist 9934 Maine
"Flowers LAKESIDE
 By 443-1066/1067
 Evenings
"Lakeside" 222-1892
 Weddings Our Specialty

Alpine
Secretarial
 SERVICE
 Custom Printing - Xerox Copying
445-4051

Enjoy The Attractive New
Log Cabin Cafe
 Adjoining The Lounge
 *
 2205 Hwy 80 445-2243
 *
 SERVING OUR FAMOUS
 BROASTED CHICKEN
 STEAKS & SEA FOODS
 *
DAILY 9 A.M. TILL 11 P.M.

BIG DANCE AT STALLION OAKS

Saturday there is a closing dance with live music to celebrate a short vacation the ranch is having. Starting Oct. 1 thru 13, Stallion Oaks bar and restaurant will be closed for vacation with a grand re-opening dance on Saturday, Oct. 19. During this period, the riding stables and campgrounds will remain open on weekends with Al Lyons, Kathie Swisher, Geo. Eberlin and John Daw in charge.

The pool tournament starts Oct. 26 and "trophies and prizes will be bigger than ever" says Ed Torgersen, owner.

Starting Sun, Oct. 20 at noon and every Sunday thereafter, a giant table will be heaped with all sorts of good things to eat and all for only \$1.75 with the menu changed every Sunday and this goes from noon till 9 pm. Also the Friday night fish fry is still on, all you can eat for \$1.75.

Ed says "Just because summer's over, don't put your trailers and campers away. Weekends are great at Stallion Oaks so come on up and visit us".

SGT. VANLANDINGHAM IN KOREA

An El Capitan graduate has made good in the army by achieving rate of sergeant in only 9 months. He is Jas. H. Vanlandingham, son of the owner of the Rocking TV Ranch, 15455 Old Hwy 80. He is now serving in Korea. He will be 21 next month. He was here on leave last month, was married on the 15th to Laurel Jaquith, of Spring Valley.

POTLUCK FOR 4H COUNCIL

Monday at 6:45 in the Valley Elementary School in Poway the annual SD County 4H Council will have their potluck dinner with a meeting following. Alpine 4H Clubs are the hospitality chairmen. All leaders and junior leaders are invited.

Beeson's Disposal
 Service
Trash & Garbage Mixed
 TWICE WEEKLY PICKUP
 Serving Harbison Canyon To
 Mt. Laguna
 Call 445-3029 After 4:30 PM



HALES RAISE PRIZEWINNING PUGS

While you do not see too many of these gray little pug dogs around today, they are really quite popular, declares Robert Hale, of the Rockin' H Ranch, where he breeds and boards horses.

Photo shows Hale, at left, Mrs. Hale and their son Monte, with some of their blooded pugs which they have no trouble in selling. They have also won prizes.

Robert King, youngest son of Jim King, the painter, with his wife Lynn, little daughter Debbie and son Douglas, drove down for the weekend from LA where both are employed by the Flying Tigers Airline.

Wonder why it's called an Income Tax Return? What you send in with it is never coming back.

 **FISH FRY**
 EVERY FRIDAY!
 All You Can Eat \$1.75
STALLION
 OAKS RANCH
 Descanso 
445-4179

PRICES UP BUT C of C HOLDS LINE

"Rather than raise membership dues-- \$20 business and \$10 residential-- we are working for more members" avers outgoing President Dr. J. S. Campbell of the chamber of commerce, whose membership committee is out in the field to boost the total.

Lutz's Garage
 Complete Automotive Service
 AUTHORIZED
BRAKE STATION



24-HOUR TOWING
445-29671
 Harold Lutz 1620 Hwy 80
 P.O. Box 341 Alpine.

DOUBLE TALK

By Cecile and Celeste Irvine

Saturday's scramble for classes at Grossmont College was something you can't forget very easy. We arrived on campus at 5:15 am and were not the first ones by any means. The lines had started long before then. In fact, some had even slept by the door so as to be sure to get the class they wanted. We finally got in, only to be told that there was only one opening in the class we wanted, so were disappointed. The school is just bursting at the seams and we all are making the best of it. Maybe the race to the moon isn't as important as newer and bigger schools to train the young poeple who someday will run the US, and maybe man those space ships!

Little Mathew Scully was made happy at Sunday's Naval Amphibious picnic at Flinn Springs Sunday. He held the winning ticket to a little red wagon and his mother Doris, won a nice transistor radio. Two in a family is almost a record for that huge annual party, but

McGUFFIE'S SUNDRIES

Medical Preparations - Vitamins

Fountain Lunch

Greeting Cards - Cosmetics

PAY LIGHT & PHONE BILLS HERE

Current Magazines

2363 Hwy 80

445-2121

El Cajon Awning & Mfg. Co.

Alpine Representative
Lee Widmer, 445-4171

AWNINGS - CABANAS - SCREENED
ENCLOSURES

For

Mobil Homes - Patios - Residences

COME IN AND SEE OUR SHOW
ROOM DISPLAY

845 El Cajon Blvd., El Cajon

442-3301

they did it.

We had an opportunity to see the 4th Underwater Film Festival Friday night and it was the best presentation yet. The underwater camera work was fantastic but we all enjoyed Stan Waterman's movie of his family in Tahiti. They took a year off, moved down and spent the time in diving, fishing and taking underwater pictures. We all wished we could take the first boat for that tropical island and forget everything!

Lynn Thompson got married last Friday to Herbert Kramer. She graduated from El Cap and was a majorette for the marching band for three years. They left for San Jose to make their home after the wedding.

Jim Sockwell had a narrow escape last week when a bomb went off near where he was working in Danang. Mrs. Sockwell is there too, and if things get any worse, they both will come home.

June Wasson has a nice dog to give away to a good home. Call 445-3637 if you want him.

Anyone lost a nice part Weimaraner male dog? He wandered into Mrs. Edna Drake's home, 1042 Midway Drive on Monday with sore feet, and was very hungry. He has a chain collar but no tags and she is sure he belongs to someone. For more particulars call her at 445-2178.

Mrs. James Manlowe has some darling little AKC bulldog puppies for sale. Call her at 445-3152 if you are interested or know of someone who would like to buy one.

Mr. and Mrs. Jack Spatz, W. Victoria Dr., entertained last weekend his brother Chas. Spatz, who flew in Thursday from Oakland with his wife, Marion. They like Alpine very much.

Saying nothing is easy - the hard part is knowing when.

DOLL HOUSE

Antiques & Gifts

DOLL HOUSE CANDIES

BEAUTY SHOPPE

1911 Hwy 80

445-4289



Alpine needs a bowling parlor.

McMANUS READIES FOR WINTER

Exercise is one way to keep healthy believes John J. McManus, of Deer Springs Ranch, Willows Road. Here he is with a sharp axe and sturdy biceps beside a few cords of fine oak wood he has cut during the summer. Chopping wood is a great exercise, he avers.

HABITS, NOT TENSIONS HARM HEART

A surprising 5-year study of 270,000 employes reveals that successful executives are no more susceptible to heart attacks than those who stay lower on the ladder. So says the Bell Telephone System, reporting that smoking and wrong eating habits outdid daily tensions as causes of heart ailments.

4H MEETS OCT. 2

The first meeting of Alpine 4H Club will be Wednesday, Oct. 2 at 7:30 in Fuller Hall. All interested between the ages of 9 and 19 are to be there with a parent if they are joining for the first time. Monthly meetings will be the first Wednesday of every month, same time and place.

ALPINE

Rexall PHARMACY

SALE NOW ON

Get your Back to School Supplies Now

We have everything you need

2100 Hwy 80

Alpine 445-2488

Alpine CONVALESCENT Center

STATE LICENSED

Conscientious Service, Balanced
Meals, Congenial Atmosphere

Reasonable Rates Depending
on care required

445-2644 or 445-2645

2121 Hwy 80 445-2771

Carl's Boot & Leather Shop

SADDLES - TACK - SUPPLIES - CHAPS TO ORDER

1275 N. Second, El Cajon

442-3027

REDUCE SPENDING BUT HIRE MORE!

Cong. Jas. B. Utt, R-SA, reports that although he voted against the 10% surcharge on income tax because he did not believe it would bring the supposed benefits. He points to the fact that since the legislation went into effect, the reduction of expenditures has not materialized, in fact, 95,000 were added to federal payrolls! The cost of living has also edged up, as have interest charges. He claims that the legislation is against the constitution.

Work is going ahead on a 16 x 24 entry addition to Alpine Lutheran Church, 2040 Tavern Road. Members are doing the job.

Alpine Grading & Equipment Rental

Fred Rushing

Alpine

445-2214

Water Wells PUMPS

SALES SERVICE
Water Wells Drilled

STOCKTON PUMP & MACHINE

311 N. 2nd, El Cajon 444-2672

HOW TO SAVE MONEY ON WATER -- DISTILLED, THAT IS!

Let us demonstrate our new, improved Solar Powered Still that yields a gallon a day. It pays for itself in a year!

Pure, clear, sparkling real distilled water for cooking, drinking, steam iron, battery, photography, laboratory, etc, etc.

Call or write today.

SUNWATER COMPANY

283-0454

10404 San Diego Mission Rd.

San Diego

CHAMBER INSTALLS NEXT WEEK

Supervisor Chairman Henry Boney will install 1969 officers of Alpine Chamber of Commerce following a 6:30 dinner in the school auditorium Saturday, Oct. 5, announces Dr. J. S. Campbell, president. Postmaster H. T. Magnussen will replace him.

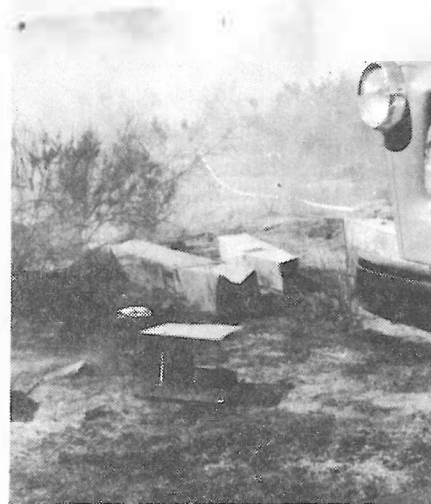
Others to be seated: Bob Ostrander, vice-president; Mrs. John Titus, secretary, Jack Spatz, treasurer, and directors Al Adams, Dr. Campbell, Jack Hoistad, Clayborn LaForce and Henry McKie.

Tickets at \$3.50 are on sale at the chamber office, 2121 Hwy 80, Casino Inn, Alpine Bakery, Log Cabin Cafe, Security Pacific Bank, Rexall Pharmacy and Empire Market.

Co-chairman for the affair are Mmes. Grace Palmer and Katherine Black. Paul Clay will be emcee. Entertainment will be by "The Four Fortys", a professional barbershop quartet led by Jake Bechtel, with Jim Gordon, Roy Buck and Dick Spatz, son of Jack Spatz.

Mr. and Mrs. H. G. Moxey are back from a delightful flight in their airplane to Santa Fe, N. M., visiting his relatives. They were gone from Tuesday to Thursday. "A wonderful flight" she exclaimed, "with gorgeous weather-- it's the only way to travel".

A mouse never trusts its life to one hole only.



Men drive trucks as far as possible into brush, then plunge into inferno with hoses to quench flames. This was made just off Midway Drive and men just can be seen going in.

BREEZE TEMPERED HOT DAYS

Although the mercury soared to 100 on Tuesday and other Santa Ana wind days were hot, Alpine enjoyed nice breezes off the ocean which sluice up the Sweetwater River. Other places had it worse!.

Descanso's Dorothy Loomis was a 3rd place winner, in articles with "A White Christmas", in the La Mesa Writers' Club annual contest. Trophies will be presented on Oct. 22.

Mr. and Mrs. Fred Sandel, Eltinge Drive, entertained her cousin Jim Dickenson and wife, who drove over from Escondido for the day.

Kip's Cafe

FINE CHINESE FOOD

Delicious - Oriental - Exotic
Orders to go - Also Home Delivery
Closed Monday - Free Delivery
1058 E. Main El Cajon 442-1211

WANT TO BE A NAVAL OFFICER?

Eligible HS seniors and graduates desiring a career in the Navy, should submit applications before Nov. 15, advises V-Adm. Chas. K. Duncan, chief of naval personnel. This will be the 23rd annual national competitive examination for the regular Naval Reserve Officer Training Corps, which comes on Dec. 14.

This program prepares young men for the USN or USMC while studying at one of 53 civilian colleges. All tuition, fees, uniforms and books are supplied plus \$50 monthly for subsistence. Details from any recruiting station or HS counselor.

All former Ft. Dodge, Iowa residents are invited to attend a picnic Sunday, Sept. 29 at El Monte Park in Lakeside starting at 11 o'clock. "Bring your own dinner and service. Games and entertainment will be provided" says Mrs. Marvin Anderson, in charge.

ALPINE REALTY

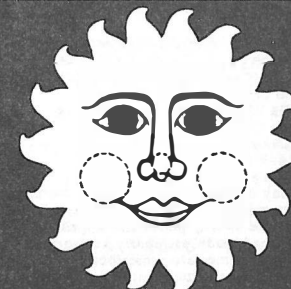
Company

LISTINGS WANTED

HOMES - RANCHES - LAND

2175 Arnold Way.

445-3310



VISCA ALPINE
MOBILE HOME ESTATES

On Interstate 8 at Alpine, California. Call Alexander Dorig at Telephone (714) 286-3562, or write for descriptive brochure to Christopher D. Sickels & Associates 6505 Alvarado Road, Suite 211 San Diego, California 92120

HINKLE SHIPS MANY BIRDS

Tuesday a flock of exotic birds were shipped all around the nation by Al Hinkle, who, by the way has a D. Sc. in bird husbandry. He actually has more game birds in his lofts here than the SD Zoo! Consignments went to Yakima, Wn., Victoria, B. C., Salt Lake City, and Cleveland. Some of his rare pairs are worth in the hundreds of dollars.

Al and Reenie Adams are back from a part business, part pleasure trip to Santa Rosa and Lake Tahoe. Randy and Barry McCall looked after their ranch while they were away.

GRANNY'S KITCHEN

Featuring Complete

ROAST BEEF & CORNED BEEF
DINNERS, SOUP TO DESSERT

\$1.49

Mon. thru Fri. 11 a.m. to 8 p.m.
442-2001

176 Rea Street El Cajon, Next to
Municipal Parking Lot on Cypress

LEGAL NOTICE

45656 CERTIFICATE FOR TRANSACTING
BUSINESS UNDER A FICTITIOUS NAME
It is hereby certified that the undersigned are transacting business in El Cajon, County of San Diego, State of California, under a fictitious name, or a designation not showing the name (s) of the person (s) interested therein, to wit:
Becker and Castleberry Backhoe Service
1196 1/2 Persimmon, El Cajon, California
WITNESS our hands this 27th day of August, 1968
1. Robert Otto Becker
11561 Valla Vista, Lakeside, California
2. James Wood Castleberry
Box 212, Lakeside, California
STATE OF CALIFORNIA
COUNTY OF SAN DIEGO ss
On this 27th day of August, 1968, before me Ervic Lee Pillow, a Notary Public for said County and State, duly commissioned and sworn, personally appeared Robert O. Becker and James Wood Castleberry known to me to be the persons whose names are subscribed to the within instrument, and acknowledged to me that they executed the same.
IN WITNESS WHEREOF, I have hereunto set my hand & affixed my official seal the day and year in this certificate first above written.
Ervic Lee Pillow
Notary Public in and for said County and State
My Commission Expires Sept. 16, 1968
Alpine Sun, Sept. 20, 27, Oct. 4, 11, 1968.

KEYMEN TO INSPECT UCSD

Chancellor Wm. J. McGill, of the fast growing school, UCSD, will be speaker following a campus lunch on Oct. 2 for Keymen of the lively SD C of C.

Dr. McGill will describe the growth & plans of the burgeoning UCSD to these leaders of the county. D.B. Grady, Keyman chairman says "This will give our members an opportunity to learn about an institution which has been a great boon to this area's economic health".



NATION'S ILLS NOT INSURMOUNTABLE

America is not a sick society. Let us stop condemning our whole populace for the sins of a few. Let us stop this nonsense of self-reproach and self-ridicule and throw off the guilt complex which threatens to envelop our country. When we face adversities and tragedies, let us do so with resolute confidence, avoid panic, and reserve judgment until all the facts are known.

-J. Edgar Hoover, Chief, FBI

THANKS, FOLKS

Sir: Ref. your newspaper Classified, please send latest Alpine Map, 10¢ enclosed. Would say one must speak very highly of the quality of America's tiniest Newspaper, yet the price is just a whisper! Thanking you in advance.
--Wayne O. Shore, New York, subscriber. He recently bought property in Alpine.

GOVERNOR NAMES STURDIVANT

From Yuma comes word that V.B. Sturdivant, former Alpiner, has been appointed by Gov. Jack Williams as a member of the Arizona Motion Picture Commission, an important body in furthering production in the state.



Nikki Menconi holds 3 weeks-old Min Pin puppy she got Sunday from her friend in SD. His mother couldn't feed him so Nikki is feeding a formula of liquid vitamins and milk twice a day. She said "the little guy sleeps all night and isn't any trouble at all." So far she hasn't come up with a name but will in a few days.

PHONE CO. ENTERTAINS OPTIMISTS

Wednesday night in the Log Cabin Cafe, Jack Mayer of Pacific Telephone's lecture-demonstration team, entertained the Optimist Club with a fascinating little show. It traced the evolution of sound development via tape, taking members back to the gay '90's and Edison's old was cylinder gramophone, coming up to the first electric recordings. Mayer explained the difference between hi-fi and stereophonics, told many interesting sidelights on sound.

First Church of Christ, Scientist

9573 Los Coches Rd. In Lakeside

Sunday Services 11 A. M.
Sunday School 9:30 A. M.
Wednesday Meeting 8 P. M.

Care for small
Children during
All Services

TWINS IN 200TH CONTEST AT SD

At last week's chamber of commerce meeting they named the Irvine Ranch Twins, Cecile & Celeste, 17, to represent Alpine in the county-wide talent hunt staged by the 200th Celebration committee.

Next month they will compete with entries from many towns around the county. The chamber okayed them after they sang 2 songs, plus an encore. They sing folk and western songs with the guitar, have appeared on several radio and TV stations and played for 13 weeks on Channel 39.

ENJOY GOLD STAR DINNER

Tuesday Donna Schwenck attended the Gold Star Dinner in the LeBaron Hotel and was one of the speakers. There were 75 present and All Stars from other areas were also speakers.

COLOR - BLACK & WHITE
ANTENNAS - STEREO - HI FI

MT
VIEW
ELECTRONICS
SERVICE & SALES
25 YEARS EXPERIENCE
442-4229

Nutrition Center

Your Health Food Store

162 E. Main 442-7212

Mr. & Mrs. H.A. Gillies

COMPLETE LINE OF HEALTH FOODS.

SPECIAL DIET FOODS - VITAMINS
MINERALS AND SUPPLEMENTS

Open Daily Except Sunday

9 am to 5:30 pm

WE GIVE GREEN STAMPS

HOMES - RANCHES - ACREAGE



Bus. 442-6670
Res. 284-9887

AL SOUDERS BRANCH MANAGER

1439 EAST MAIN STREET EL CAJON

Classified

30¢ per line per time. Cash only.
6 words to each line. Mail to Sun.

WHEN YOU THINK OF TOYOTA, think of Gene Adams, of Alpine. He can put you right into a Toyota, and at the right price. Call 283-5877 or 445-3731.

HORSESHOER - Quality work at regular prices. Robt. Walker. 465-9327. (10-11)

HELP WANTED - Exp. egg candler for night shift. Wesco Egg Farm. 445-2687.

WANTED TO BUY - Fresh, ripe grapes by the lug. 445-2394.

THANKS, FOLKS

Dear Friends: - Here's my renewal. I miss all my Alpine friends. --Maude Gamble, Chula Vista.

McKie Realty

P.O. Box 398, Alpine

2355 Hwy 80 445-2217

LISTINGS WANTED

"Before You Sell or Buy See McKie"

LEGAL NOTICE

45720 CERTIFICATE FOR TRANSACTING BUSINESS UNDER A FICTITIOUS NAME
It is hereby certified that the undersigned are transacting business in Alpine, County of San Diego, State of California, under a fictitious name, or a designation not showing the name (s) of the person (s) interested therein, to wit:

Alpine Printing Co.
2251 1/2 U.S. Highway 80 - P.O. Box 204
Alpine, California 92001

WITNESS our hand this 11th day of September, 1968

1. Robert Newell Miller
Rt. 1, Box 314, Alpine, California 92001
2. Charles Newell Miller
Rt. 1, Box 314, Alpine, California 92001
3. Agnes Miller
Rt. 1, Box 314, Alpine, California

STATE OF CALIFORNIA
COUNTY OF SAN DIEGO ss

On this 11th day of September, 1968, before me Wm. G. Brown a Notary Public for Said County and State, duly commissioned and sworn, personally appeared Robert Newell Miller, Charles Newell Miller and Agnes Miller known to me to be the persons whose names are subscribed to the within instrument, and acknowledged to me that they executed the same.

IN WITNESS WHEREOF, I have hereunto set my hand & affixed my official seal the day and year in this certificate first above written.

WM. G. BROWN

My Commission Expires April 10, 1969
Alpine Sun, Sept. 27, Oct. 4, 11, 18, 1968

REAL ESTATE FOR SALE
1 BR Canyon Home, \$8500. \$2500 down, horses ok.
Alpine Frontage, Hwy 80. Commercial. Alpine, new beautiful 5 bedrooms on 1 acre, horses ok. \$31,500.
2 BR home, Alpine, \$14,750. Fenced. Fruit and shade trees. Terms.

AL SMITH REALTY

2249 Hwy 80 445-2670

500 Acres @ \$700. per acre. Write Mrs. Broni, Wixom, Mich.

FOR SALE-- One acre in Alpine. South Grade Road. Good building lot. Water hookup available. 448-7284.

WILL TRADE newer home in Escondido for Alpine home with fruit, fenced yard, 2 bedrooms and clean. 247 E. 14 Escondido. 745-0895.

WANT AN ALPINE MAP?

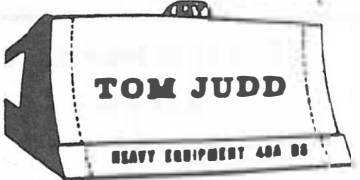
If you need the new Alpine map, showing all lanes, streets, roads and the freeway, send 10¢ & stamped envelope to the Sun, publisher of this latest map.

RECORD HIGHEST EMPLOYMENT HERE

County employers added 1400 more jobs to the economy in July to boost the total to 389,900, highest in history. This was a 5 1/2% increase over July last year.

Note- No wonder there are no rentals in Alpine or almost anywhere around SD. Realtors here say they get dozens of calls a day for houses to rent. The Sun has nearly a call a day on this. Also lacking are trailer spaces. But in a few months the new park & the Pierce houses will help. -Ed.

445-2810



TOM JUDD

HEAVY EQUIPMENT 40A 00

Rt. 1, Box 97 Alpine,

FOR SALE, MISCELLANEOUS

Saddle, 15" seat, like new, \$149.
Tuner, Am-Fm Pilot 100 watt, \$99.
Highspeed record changer BSA, \$30.
2 Spk cabinets w/ 2 12" & 4 5" \$69.
Color TV Con 21" A-1 \$199.
Stereo Am-Fm - FM Stereo, \$199.
Banjo, 5 string, new: \$79.
Guitar, folk type, 6 strings, \$35.
Single bed w/ metal frame, \$15.
Refrigerator, good cond. \$10.
Sony tape deck stereo, \$149.
Onyx chess set, \$25. Fan on stand, \$25.
Heater, elec port. \$25. Wheel barrow, like new, \$10. Fence posts 6' - 8' \$1.
Elec fence & weed control CHB \$29.
CALL B. HOLMES 445-4281 or leave a message 445-3328.

57 Olds Conv. Good cond. \$250.
Admiral Stereo Console Multiplex \$95.
Misc. items, 10¢ to \$10. 22 Caliber rifle, single shot, rack and cleaning equipment, \$22.50. 4135 Willows Rd. Cottage 12 1/2.

MISSOULA ARROW & BOURBON KING.
Reg. Saddle Bred. Both show trained.
Sac. 445-3328.

Misc. household items and furniture plus carpenter's tools for sale reasonable.
1424 Louise Dr., 445-3079.

ENGLISH BULL dog pups, 8 mos. old, AKC, Excel. with children. 445-3152.

Alpine Hobby and Rock Shop has all of your hobby needs. 1321 Victoria Drive. Alpine, Ca. 445-4603.

GOOD Transportation car for sale. Ford Fairlaine with T Bird engine. has new brakes, battery, muffler, carburetor, shocks, etc. \$339. 445-2394 or 2415.

LOST AND FOUND

Lost- Cocker spaniel, female. White under neck, fleckled face, wearing a red flea collar. Name "Cutie" Lost in Alpine Sept. 12. 445-4506.

George Lengbridge
FOR TV SERVICE
Black & White or Color
445-3885

SPECIAL NOTICES

VACATION - Closed during month of September. 445-3037.
PINE ACRES TREE NURSERY

HANDCRAFTED Woodwork, gifts, bookends, lamps, clocks. Smiley's Motel, 3905 Hwy 80, Alpine. 445-2770. (tf)

PAINTING, interior, exterior. Reasonable, fast. 22 years exp. Neat, clean. PO Box 242, Alpine. 445-2797 (tf)

LICENSED INSURED Electrician. Chas. Shorter, 2812 Hwy 80. 445-3763.

Ruth Burdett, piano lessons. 445-2877.

La Mesa Gold Seal Cleaners & Laundry. Free pickup & Delivery. 466-5957.

SEPTIC TANKS CLEANED
Modern Septic Tank Service, 444-6197.

BUSINESS CARDS, \$5.95 per M. Blue or black, postpaid anywhere in US. Add 5% sales tax. 445-2415. Alpine Sun.

PROPANE GAS SERVICE. All types appliances; gas refrigs. Free estimates. Byron Crawford, 445-2087.

DO YOU NEED A LOAN on Real Estate or sell a trust deed? Call Don Bates, 445-2537.

CUSTOM BUILT HORSE TRAILERS
parts and repairs. 8201 Wintergardens, Lakeside. 448-0168.

GENERAL HOME REPAIRS
Plumbing - Painting - Roofing - Electrical - Rought & Finish carpentry. 443-4530. (9/27)

ROOFING of all kinds. Do it now before it rains. Odd jobs, none too small. C. H. Frakes, Willows on Nicholiasen Road.

Ed Wagner
Independent Distributor
CARNATION
DAIRY PRODUCTS
234-2281

24

Ent. as 2nd Class, Alp, Ca. 92001

Return Postage Guaranteed

Alpine's Fine Weather

High, 100, Ave. High, 85
Low, 46; Ave. Low, 55
No Rain, Sea. .09

Elev. 2000 Ft. Population 4,300
Where the Sunshine Spends the Year

Now Serving Alpine

AND THE MT. EMPIRE

PROPANE

METER, BULK AND BUDGET PLAN

C.I.D. PROPANE Co.

RON LEITCH

OWNER

10 Years With 2 Major Companies
Serving This Area

Only Radio-Dispatched Trucks

VERY COMPETITIVE RATES

C.I.D. PROPANE Co.

444-4952 or 465-1505

9113 OLIVE DR.

SPRING VALLEY